

8911* 1/2"-4"

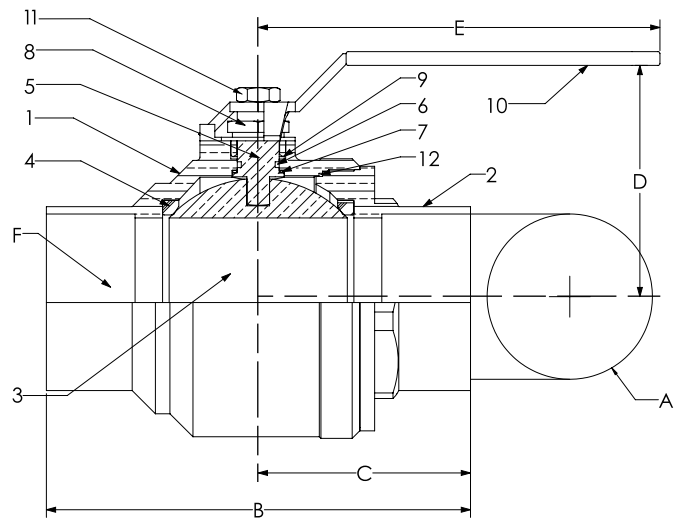
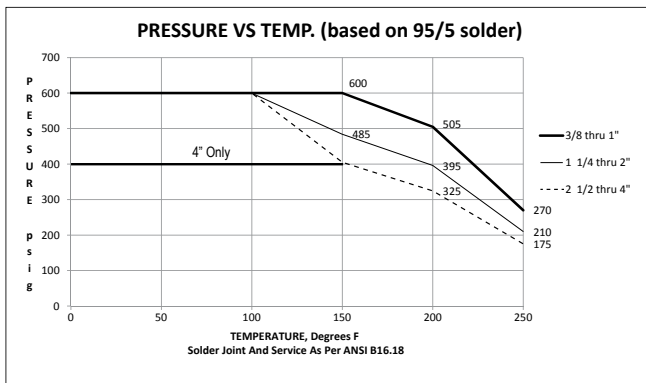
**Brass Ball Valve
Two Piece
Full Port
600 WOG (1/2" - 3") 400 WOG (4")
Solder Ends
Blow-Out Proof Stem
MSS SP-110, ASME A112.4.14**

MATERIALS LIST

ITEM	PART	MATERIALS	ASTM SPEC.
1	Body	Brass, Forged	B283
2	Tailpiece	Brass, Forged	B283
3	Ball	CP Brass (1/2" - 1 1/4")	B283
		CP Brass, Cast (1 1/2" - 4")	B584
4	Ball Seal	PTFE	Commercial
5	Stem	Brass	B124
6	O-Ring	Buna-N	D2006
7	Thrust Washer	PTFE	Commercial
8	Gland Nut	Brass	B16
9	Packing	PTFE	Commercial
10	Handle	Zinc Plated Steel	Commercial
11	Handle Nut	Zinc Plated Steel	Commercial
**12	Body Seal	PTFE	Commercial

*Not intended for use in potable water.
**4" Valve Only

PRESSURE - TEMPERATURE CHART VACUUM SERVICE TO 29 INCHES Hg.



DIMENSIONS

	UNITS	1/2"	3/4"	1"	1-1/4"	1-1/2"	2"	2-1/2"	3"	4"
A	INCHES	0.50	0.76	1.00	1.26	1.50	2.00	2.48	2.95	3.94
	mm	13	19	25	32	38	51	63	75	100
B	INCHES	2.28	3.10	3.56	4.13	4.64	5.75	7.25	8.25	10.33
	mm	58	79	90	105	118	146	184	210	262
C	INCHES	1.14	1.55	1.78	2.06	2.32	2.87	3.62	4.12	5.17
	mm	29	39	45	52	59	73	92	105	131
D	INCHES	1.46	1.93	2.10	2.33	2.52	2.96	3.94	4.37	5.96
	mm	37	49	53	59	64	75	100	111	151
E	INCHES	3.27	4.45	4.45	5.24	5.24	7.01	7.87	7.87	9.65
	mm	83	113	113	133	133	178	200	200	245
F	TUBE SIZE	0.63	0.88	1.13	1.38	1.63	2.13	2.63	3.13	4.13
Cv		18	40	72	112	161	287	307	323	584

The information presented on this sheet is correct at time of publication. Hammond Valve reserves the right to change design and/or materials without notice. For our Installation, Operation and Maintenance Manual and the most current product information go to www.hammondvalve.com. Hammond Valve is a registered trademark of Milwaukee Valve.

⚠ State of California Prop 65 **WARNING:** Cancer and Reproductive Harm. For more information visit www.p65warnings.ca.gov.