

# 8503H/8513H\* 1/2"-3/4"

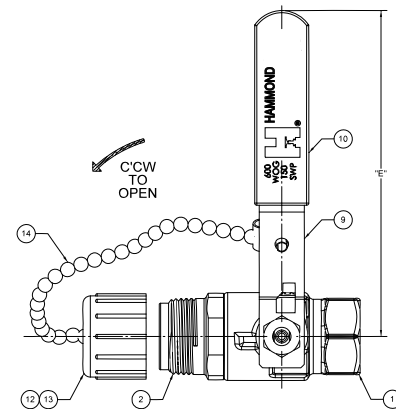
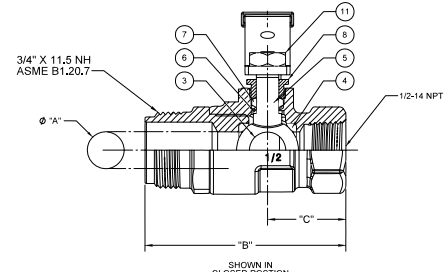
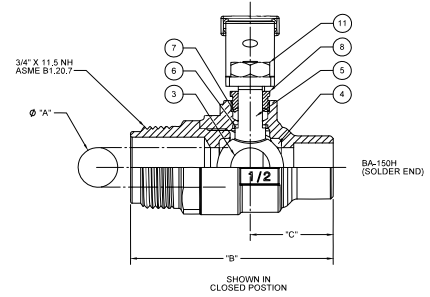
**Bronze Ball Valve  
Two Piece  
Full Port  
Threaded x 3/4" Hose End (8503H)  
Solder x 3/4" Hose End (8513H)  
Dust Cap and Chain  
Blow-Out Proof Stem  
MSS SP-110**

## MATERIALS LIST

ITEM	PART	MATERIALS	ASTM SPEC.
1	Body	Bronze	B584
2	Tailpiece	Brass	B16
3	Ball	316 Stainless Steel	A276
4	Seat	RPTFE, 15% Glass Filled	
5	Stem	316 Stainless Steel	A276
6	Thrust Washer	RPTFE, 25% Glass Filled	
7	Packing	PTFE	
8	Packing Nut	Brass	B16
9	Handle	Steel w/Zinc Plating	Commercial
10	Hand Grip	Vinyl	
11	Handle Nut	Steel w/Zinc Plating	Commercial
12	Dust Cap	Polypropylene	
13	Gasket	EPDM	
14	Chain	Brass Bead	

NOTE: Pressure / Temperature ratings shown are for valve only.  
Hose side pressure and temperature limit is based on connected hose and is the users responsibility.

\*Not intended for use in potable water.



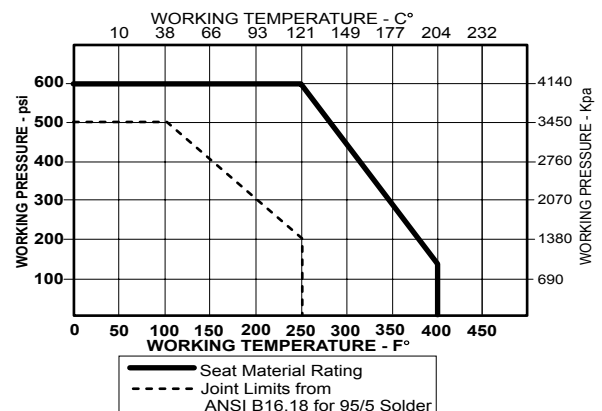
**Do not pressurize cap.  
Pressure not to exceed 40 psi.**

## DIMENSIONS

	UNITS	1/2" DN15	3/4" DN20
	ØA	INCHES	0.50
	mm	13	19
B (8503H)	INCHES	2.70	2.90
	mm	69	74
B' (8513H)	INCHES	2.55	3.05
	mm	65	78
C (8503H)	INCHES	1.10	1.30
	mm	28	33
C' (8513H)	INCHES	1.10	1.45
	mm	28	37
D	INCHES	1.88	2.14
	mm	48	54
E	INCHES	3.81	4.62
	mm	97	117
F	THREADED INLET	NPT	NPT
Cv		13	30

Note: DN (Diameter Nominal) =  
Metric equivalent size.

## PRESSURE - TEMPERATURE DATA (See Note)



The information presented on this sheet is correct at time of publication. Hammond Valve reserves the right to change design and/or materials without notice. For our Installation, Operation and Maintenance Manual and the most current product information go to [www.hammondvalve.com](http://www.hammondvalve.com). Hammond Valve is a registered trademark of Milwaukee Valve.

⚠ State of California Prop 65 **WARNING:** Cancer and Reproductive Harm. For more information visit [www.p65warnings.ca.gov](http://www.p65warnings.ca.gov).